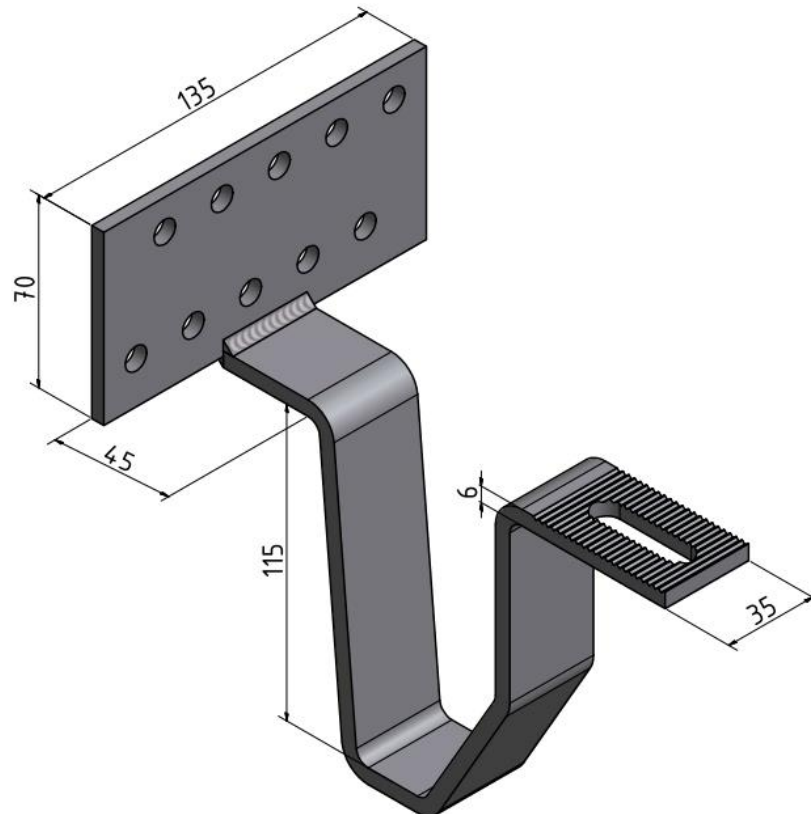


Technical data sheet Roof Hook Mammut S+

Updated: 22.10.2020



Parameter	Values
Material	stainless steel (1.4307)
Drilling holes (base plate) in mm	10 x $\varnothing 9$
Dimension elongated hole (strap) in mm	$\varnothing 11 \times 30$
Weight in kg	0.985

Subject to errors and modifications.