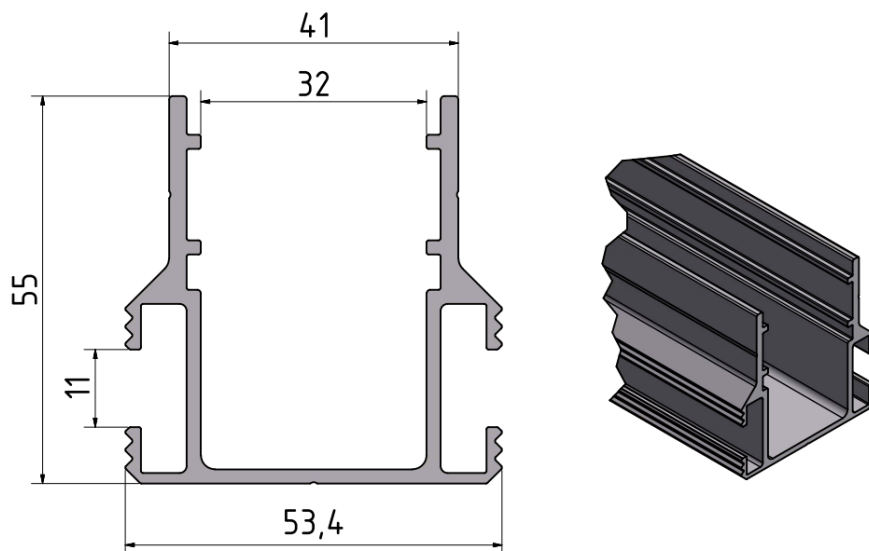


# Technical data sheet

## Base Rail D-S

Updated: 29.05.2019



Parameter	Values
Material	aluminium (EN AW-6063 T66)
Height in mm	55.0
Length in mm	4900/ 1510
Weight in kg/m	1.187
Moment of resistance $W_x$ in $\text{cm}^3$	3.680
Moment of resistance $W_y$ in $\text{cm}^3$	5.310
Moment of inertia $I_x$ in $\text{cm}^4$	12.490
Moment of inertia $I_y$ in $\text{cm}^4$	14.140
Total area $A$ in $\text{cm}^2$	4.150

Subject to errors and modifications.