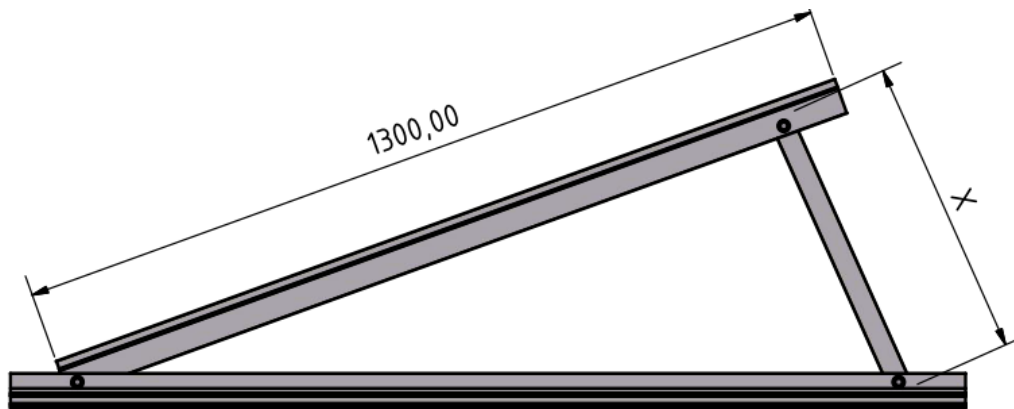


Technical data sheet

Delta-Support, Continuous

Updated: 02.05.2016



Stützprofil	
Stützwinkel	X in mm
10°	270
15°	370
20°	470
25°	575
30°	675
35°	780
40°	885
45°	980



Parameter	Values
Material	aluminium, stainless steel
Support angle in °	10 - 45
Length support rail in mm	1300
Length support profile in mm	270 - 980 (depends on support angle)

Subject to errors and modifications.